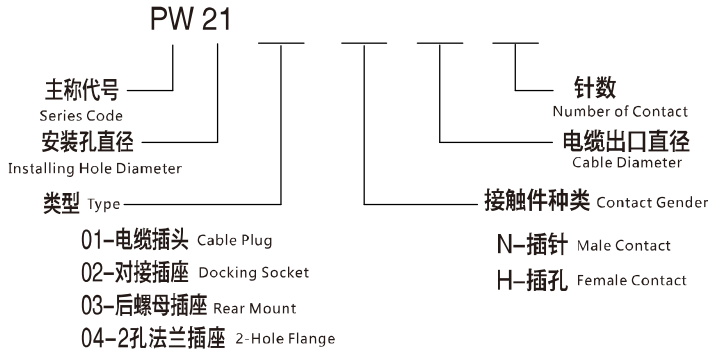


PW21系列 PW21 SERIES



型号标志代号 PART NUMBER SYSTEM



材料和技术参数 Material & Specifications

锁紧方式	Coupling	螺纹锁紧	Threaded Coupling
外壳材料	Shell Material	热塑塑料 PA66 阻燃等级V-0	Thermoset Plastics PA66, Flame Retardant Rating V-0
绝缘体材料	Insert Material	热塑塑料 PPS 耐高温260° C	Thermoset Plastics PPS, Max. 260°C
接触件材料	Contact Material	铜镀金	Copper (gold-plated)
接线方式	Termination	焊接	Solder
电缆直径	Cable Diameter	PW21-I:7-12mm	
防护等级	Protection Degree	IP68	
接插次数	Mating Cycle	≥500次	
温度范围	Temperature Range	-25° C~+85° C	
绝缘电阻MΩ	Insulation ResistanceMΩ	>2000	

针位排列及技术特性 Contact Arranges & Specifications

针数 Contact	2	3	4	5	5B	7	9	12
针位排列 (从针端看) The Contact arranges (comply with the needle direction)								
额定电流 (A) Rated Current(A)	30A	30A	30A	30A	5A,30A	15A	5A	5A
接触件针直径 φ (mm) Diameter of Needleφ(mm)	φ 3X2	φ 3X3	φ 3X4	φ 3X5	φ 1X3, φ 3X2	φ 2X7	φ 1X9	φ 1X12
工作电压 (AC.V) Operation Limit Voltage(AC.V)	500V	500V	500V	500V	500V	500V	500V	400V
耐压 (AC.V) 1min Withstanding Voltage(AC.V)1min	1500V	1500V	1500V	1500V	1500V	1500V	1500V	1200V
接触电阻 (mΩ) Contact Resistance(mΩ)	1	1	1	1	5,1	2.5	5	5
线规mm ² /AWG Wire Size mm ² /AWG	≤4.17/11	≤4.17/11	≤4.17/11	≤4.17/11	≤0.785/18 ≤4.17/11	≤2/14	≤0.785/18	≤0.785/18


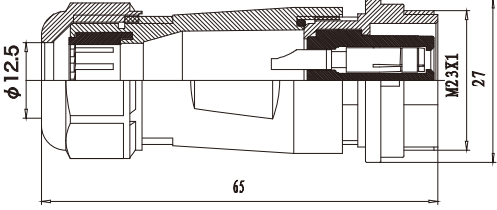

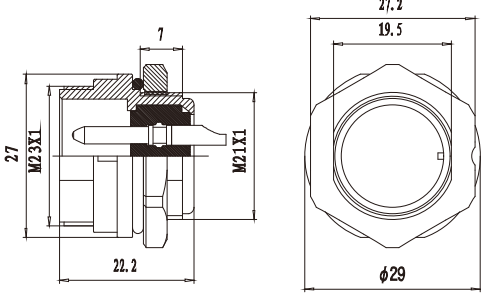

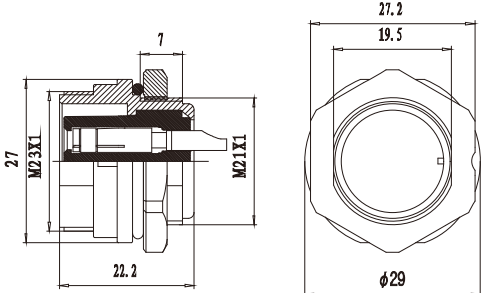
PW21系列 PW21 SERIES



图例描述 Description-Figure	尺寸图 Drawing unit:mm	针数 Contacts	电缆出口直径 (mm) Cable Diameter	订货号 Ordering No.
<p>电缆公插头 (PW2101N) Male Cable Plug (PW2101N)</p> <p>与(PW2102H),(PW2103H),(PW2104H)(PWL2102H)相配 Mates with(PW2102H),(PW2103H), (PW2104H)(PWL2102H)</p> 		2	8-12	PW2101N-I-02
<p>电缆母插头 (PW2101H) Female Cable Plug (PW2101H)</p> <p>与(PW2102N),(PW2103N),(PW2104N)(PWL2102N)相配 Mates with(PW2102N),(PW2103N), (PW2104N)(PWL2102N)</p> 		2	8-12	PW2101H-I-02
<p>对接公插座 (PW2102N) Male Docking Socket (PW2102N)</p> <p>与(PW2101H),(PWL2101H)相配 Mates with(PW2101H),(PWL2101H)</p> 		2	8-12	PW2102N-I-02
		3	8-12	PW2102N-I-03
		4	8-12	PW2102N-I-04
		5	8-12	PW2102N-I-05
		5B	8-12	PW2102N-I-5B
		7	8-12	PW2102N-I-07
		9	8-12	PW2102N-I-09
		12	8-12	PW2102N-I-12

PW21系列 PW21 SERIES



图例描述 Description-Figure	尺寸图 Drawing unit:mm	针数 Contacts	电缆出口直径 (mm) Cable Diameter	订货号 Ordering No.
<p>对接母插座 (PW2102H) Female Docking Socket (PW2102H) 与(PW2101N),(PWL2101N)相配 Mates with (PW2101N),(PWL2101N)</p> 		2 3 4 5 5B 7 9 12	8-12 8-12 8-12 8-12 8-12 8-12 8-12 8-12	PW2102H-I-02 PW2102H-I-03 PW2102H-I-04 PW2102H-I-05 PW2102H-I-5B PW2102H-I-07 PW2102H-I-09 PW2102H-I-12
<p>后螺母公插座 (PW2103N) Male Rear Mount (PW2103N) 与(PW2101H),(PWL2101H)相配 Mates with (PW2101H),(PWL2101H)</p> 		2 3 4 5 5B 7 9 12		PW2103N-02 PW2103N-03 PW2103N-04 PW2103N-05 PW2103N-5B PW2103N-07 PW2103N-09 PW2103N-12
<p>后螺母母插座 (PW2103H) Female Rear Mount (PW2103H) 与(PW2101N),(PWL2101N)相配 Mates with (PW2101N),(PWL2101N)</p> 		2 3 4 5 5B 7 9 12		PW2103H-02 PW2103H-03 PW2103H-04 PW2103H-05 PW2103H-5B PW2103H-07 PW2103H-09 PW2103H-12

PW21系列 PW21 SERIES



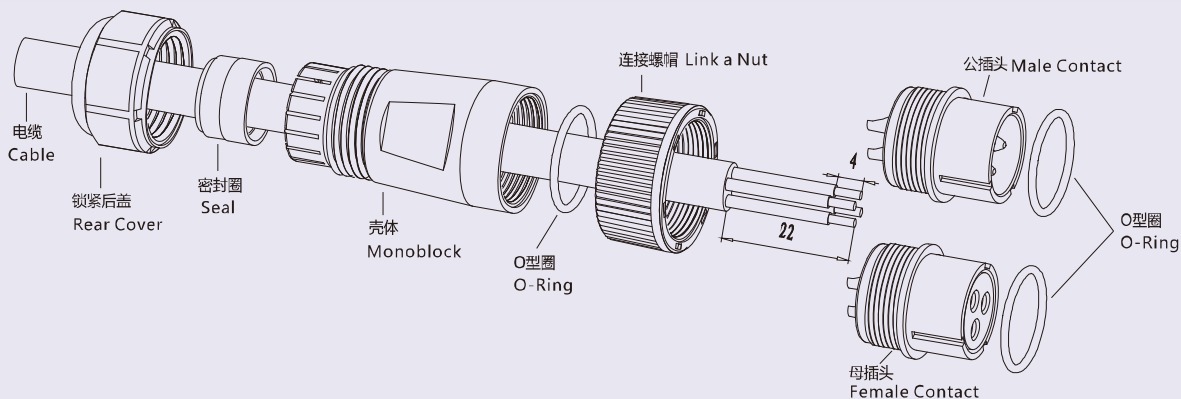
<p>图例描述 Description-Figure</p>	<p>尺寸图 Drawing unit:mm</p>	<p>针数 Contacts</p>	<p>订货号 Ordering No.</p>
<p>2孔法兰公插座(PW2104N) 2-Hole Male Flange(PW2104N) 与(PW2101H),(PWL2101H)相配 Mates with(PW2101H),(PWL2101H)</p> 		<p>2</p> <p>3</p> <p>4</p> <p>5</p> <p>5B</p> <p>7</p> <p>9</p> <p>12</p>	<p>PW2104N-02</p> <p>PW2104N-03</p> <p>PW2104N-04</p> <p>PW2104N-05</p> <p>PW2104N-5B</p> <p>PW2104N-07</p> <p>PW2104N-09</p> <p>PW2104N-12</p>
<p>2孔法兰母插座(PW2104H) 2-Hole Female Flange(PW2104H) 与(PW2101N),(PWL2101N)相配 Mates with(PW2101N),(PWL2101N)</p> 		<p>2</p> <p>3</p> <p>4</p> <p>5</p> <p>5B</p> <p>7</p> <p>9</p> <p>12</p>	<p>PW2104H-02</p> <p>PW2104H-03</p> <p>PW2104H-04</p> <p>PW2104H-05</p> <p>PW2104H-5B</p> <p>PW2104H-07</p> <p>PW2104H-09</p> <p>PW2104H-12</p>
<p>防护盖 (3) Dust Cap(3) (PW2102),(PW2103),(PW2104)适用 Mates with(PW2102),(PW2103),(PW2104)</p> 		<p>选配 Accessories</p>	



安装分解图 Component Part Drawing

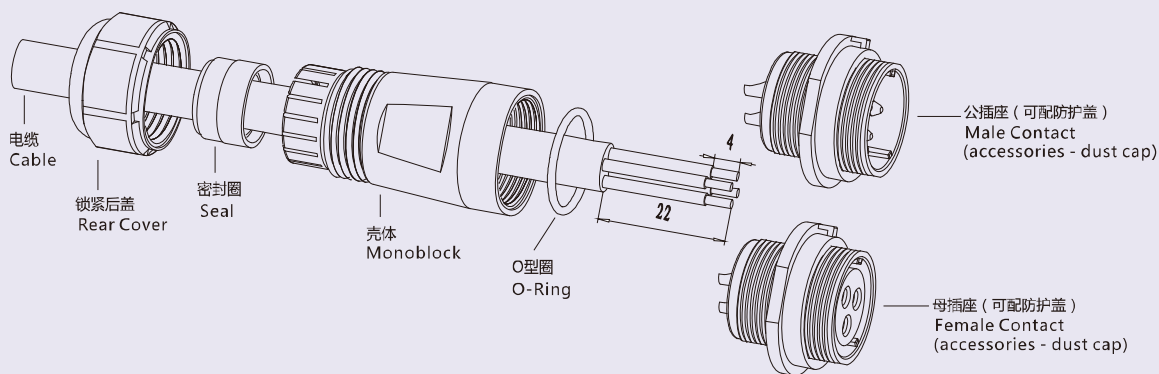
电缆插头 Cable Plug

Cable Plug



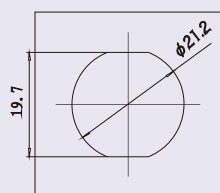
对接插座 Docking Socket

Docking Socket

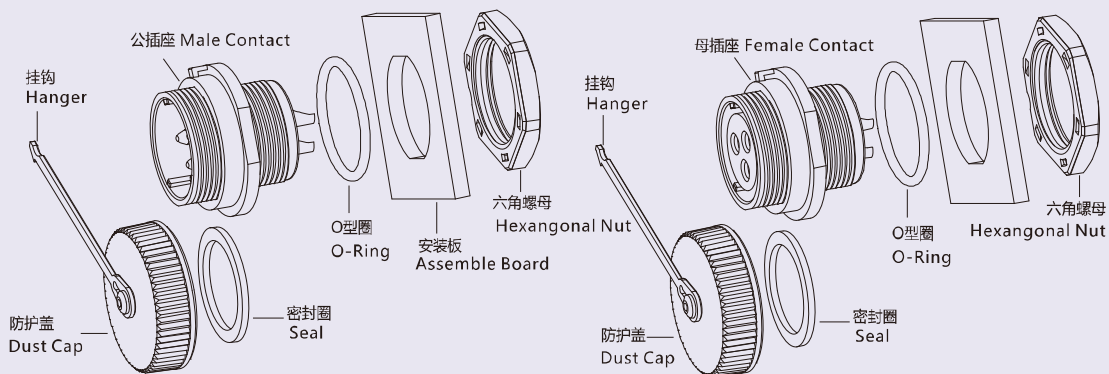


后螺母插座 Rear Mount

Rear Mount

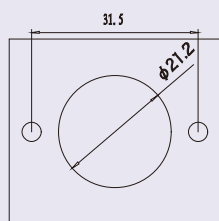


安装尺寸 Size of Installation



2眼法兰插座 2-Hole Flange

2-Hole Flange



安装尺寸 Size of Installation

