

旋转型DIP编码开关



MECHANICAL DATA

Expected life: 10000 steps
 Position per rotation: 10, 16
 Operating temperature: -20°C to +70°C

MATERIALS

Base: engineering plastics
 Cover: engineering plastics
 Actuator: engineering plastics
 Contacts: alloy copper, gold over nickel plated
 Terminals: alloy copper, tin plated

ELECTRICAL SPECIFICATIONS

Operating voltage: 24 VDC max
 Contact load, static: 400mA max
 Contact load, dynamic: 400mA max
 Initial contact resistance: 80mΩ max
 Insulation resistance: 100MΩ min

SOLDER RECOMMENDATIONS

Hand soldering: 340°C max. for 2 seconds max
 Wave soldering: 260°C max. for 10 seconds max

CODES/TRUTH TABLES

10
BCD

	C	1	2	4	8	
0	●					0
1	●	●				1
2	●		●			2
3	●	●	●			3
4	●			●		4
5	●	●		●		5
6	●		●	●		6
7	●	●	●	●		7
8	●				●	8
9	●	●			●	9

▲ Position ▲ Marking

10C
BCD complement

	C	1	2	4	8	
0	●	●	●	●	●	0
1	●	●	●	●	●	1
2	●	●	●	●	●	2
3	●	●	●	●	●	3
4	●	●	●	●	●	4
5	●	●	●	●	●	5
6	●	●	●	●	●	6
7	●	●	●	●	●	7
8	●	●	●	●	●	8
9	●	●	●	●	●	9

▲ Position ▲ Marking

16
Hexadecimal

	C	1	2	4	8	
0	●					0
1	●	●				1
2	●		●			2
3	●	●	●			3
4	●			●		4
5	●	●		●		5
6	●		●	●		6
7	●	●	●	●		7
8	●				●	8
9	●	●			●	9
10	●		●		●	A
11	●	●	●		●	B
12	●			●	●	C
13	●	●		●	●	D
14	●		●	●	●	E
15	●	●	●	●	●	F

▲ Position ▲ Marking

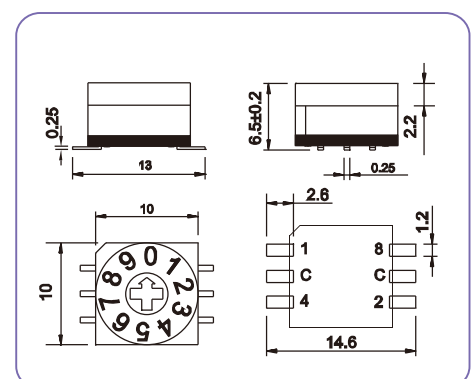
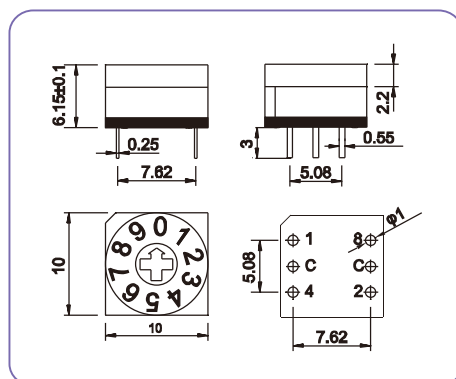
16C
Hexadecimal complement

	C	1	2	4	8	
0	●	●	●	●	●	0
1	●	●	●	●	●	1
2	●	●	●	●	●	2
3	●	●	●	●	●	3
4	●	●	●	●	●	4
5	●	●	●	●	●	5
6	●	●	●	●	●	6
7	●	●	●	●	●	7
8	●	●	●	●	●	8
9	●	●	●	●	●	9
10	●	●	●	●	●	A
11	●	●	●	●	●	B
12	●	●	●	●	●	C
13	●	●	●	●	●	D
14	●	●	●	●	●	E
15	●	●	●	●	●	F

▲ Position ▲ Marking

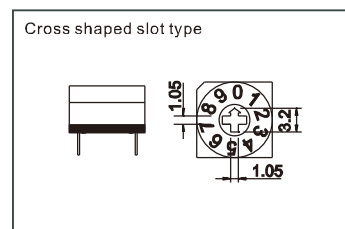
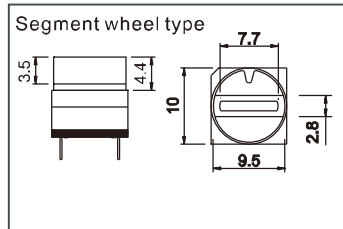
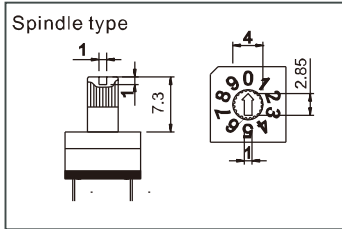
unit:mm

RS & RT SERIES

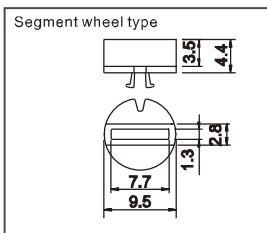
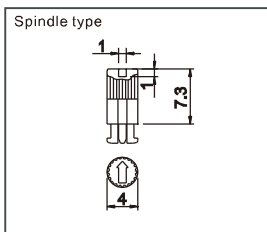


旋转型DIP编码开关

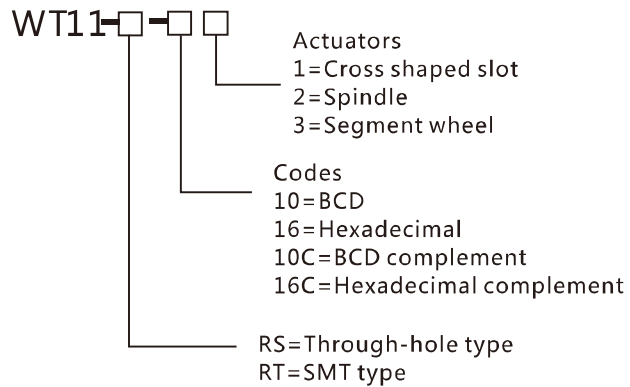
ACTUATORS



ACCESSORIES



HOW TO ORDER 产品订购信息

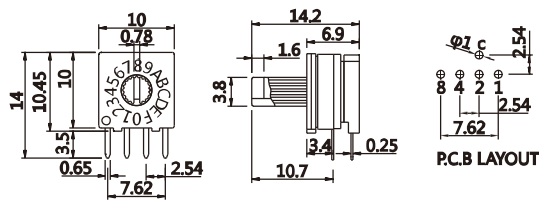


RH SERIES

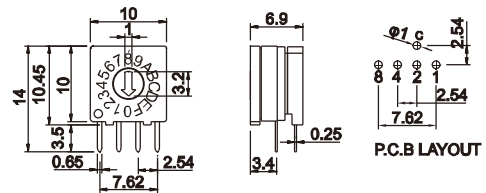


unit:mm

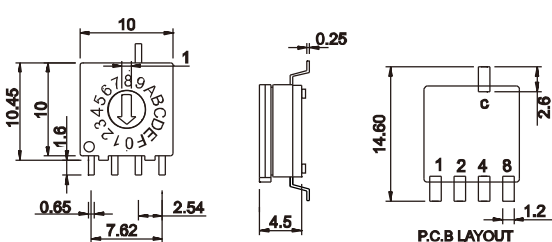
WT11-RH-516WC



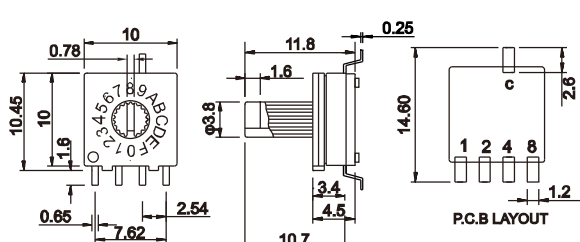
WT11-RH-516WD



WT11-RH-516TD

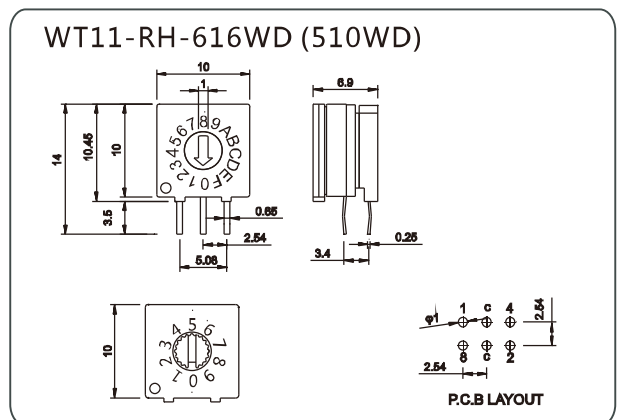
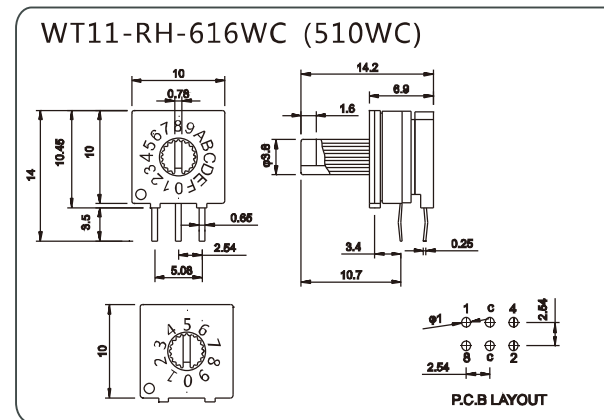
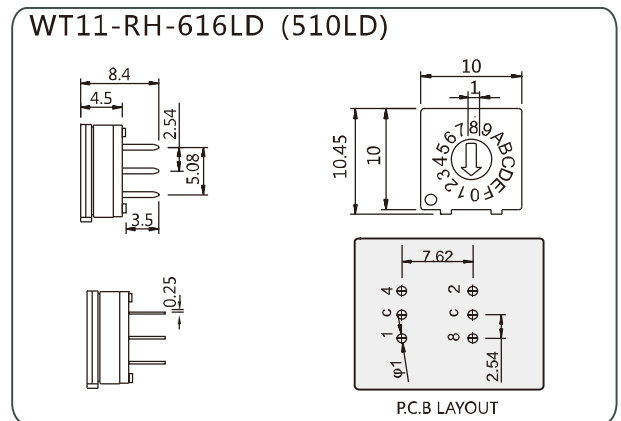
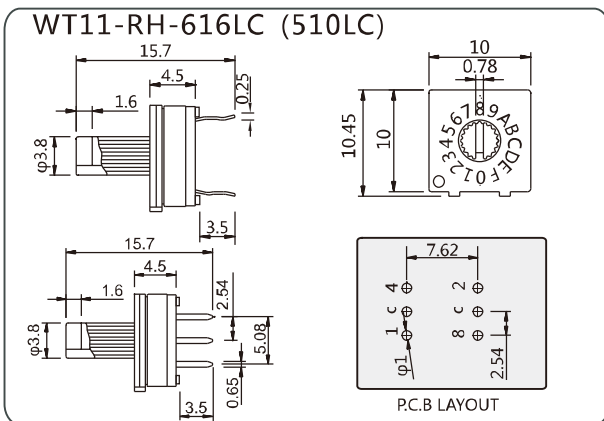
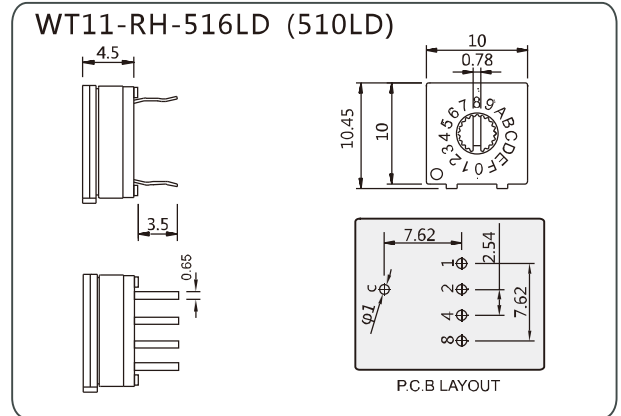
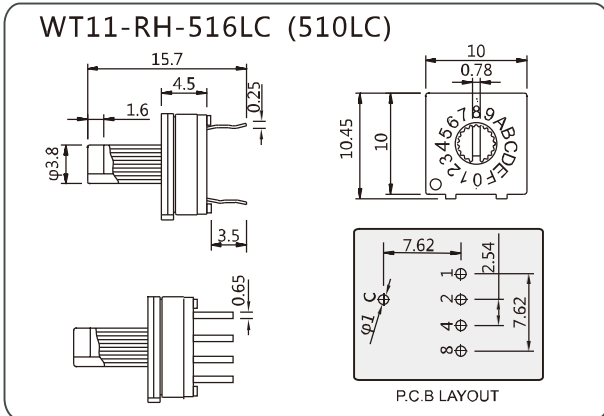


WT11-RH-516TC



旋转型DIP编码开关

unit:mm



HOW TO ORDER 产品订购信息

WT11-RH-□□□□

- Actuators
 - C=Long actuator
 - D=Short actuator
 - L=Through hole
 - W=Right angle
 - T=SMT
- Codes
 - 10=BCD
 - 16=Hexadecimal
 - 10C=BCD complement
 - 16C=Hexadecimal complement
- Pole
 - 5=5 pole (4+1)
 - 6=6 pole (3+3)